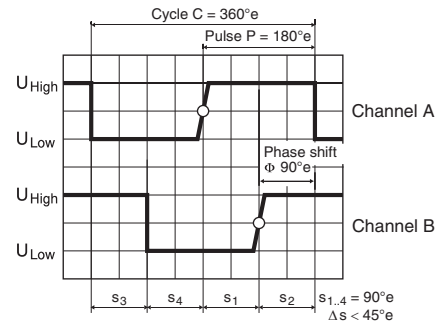
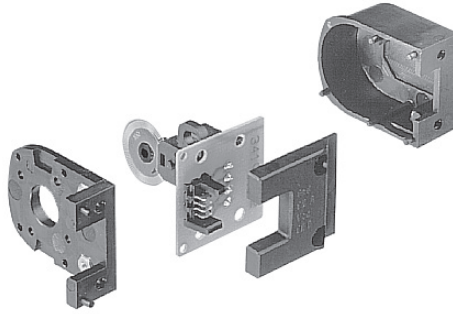
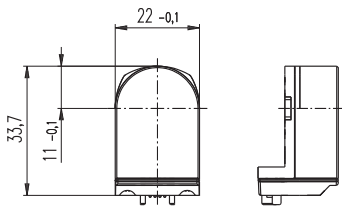


# Encoder Enc 22 100 CPT, 2 Channels



Direction of rotation cw (definition cw p. 150)

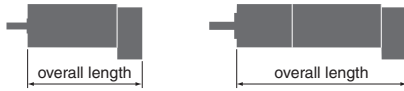
- Stock program
- Standard program
- Special program (on request)

### Part Numbers

103935	110520	110521
--------	--------	--------

### Type

Counts per turn	100	100	100
Number of channels	2	2	2
Max. operating frequency (kHz)	20	20	20
Max. speed (rpm)	12000	12000	12000
Shaft diameter (mm)	3	2	3



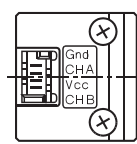
### maxon Modular System

+ Motor	Page	+ Gearhead	Page	Overall length [mm] / ● see Gearhead
RE 25	179/181			68.6
RE 25	179/181	GP 26, 0.75 - 2.0 Nm	336	●
RE 25	179/181	GP 32, 0.75 - 4.5 Nm	338	●
RE 25	179/181	GP 32, 0.75 - 4.5 Nm	339	●
RE 25	179/181	GP 32, 1.0 - 6.0 Nm	342	●
RE 25	179/181	GP 32 S	370-372	●
A-max 19, 1.5 W	198			43.3
A-max 19, 1.5 W	198	GP 19, 0.1 - 0.3 Nm	325	●
A-max 19, 1.5 W	198	GS 20, 0.06 - 0.25 Nm	326	●
A-max 19, 1.5 W	198	GP 22, 0.1 - 2.0 Nm	329/331	●
A-max 19, 1.5 W	198	GS 24, 0.1 Nm	335	●
A-max 19, 1.5 W	198	GP 22 S	368/369	●
A-max 19, 2.5 W	200			45.9
A-max 19, 2.5 W	200	GP 19, 0.1 - 0.3 Nm	325	●
A-max 19, 2.5 W	200	GP 22, 0.1 - 2.0 Nm	329/331	●
A-max 19, 2.5 W	200	GS 24, 0.1 Nm	335	●
A-max 19, 2.5 W	200	GP 22 S	368/369	●
A-max 22	202/204			46.3
A-max 22	202/204	GP 22, 0.1 - 0.3 Nm	327	●
A-max 22	202/204	GP 22, 0.2 - 0.6 Nm	328	●
A-max 22	202/204	GP 22, 0.1 - 2.0 Nm	327-331	●
A-max 22	202/204	GS 24, 0.1 Nm	335	●
A-max 22	202/204	GP 22 S	368/369	●
A-max 26	206-212			59.1
A-max 26	206-212	GP 26, 0.75 - 4.5 Nm	336	●
A-max 26	206-212	GS 30, 0.07 - 0.2 Nm	337	●
A-max 26	206-212	GP 32, 0.75 - 4.5 Nm	338	●
A-max 26	206-212	GP 32, 0.75 - 4.5 Nm	339	●
A-max 26	206-212	GP 32, 1.0 - 6.0 Nm	343	●
A-max 26	206-212	GS 38, 0.1 - 0.6 Nm	348	●
A-max 26	206-212	GP 32 S	370-372	●

### Technical Data

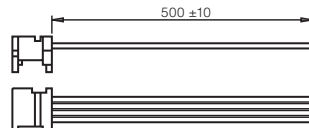
Supply voltage $V_{CC}$	5 V ± 10%
Output signal	TTL compatible
Phase shift $\Phi$	90° ± 45°
Signal rise time (typically, at $C_L = 25$ pF, $R_L = 11$ kΩ, 25°C)	200 ns
Signal fall time (typically, at $C_L = 25$ pF, $R_L = 11$ kΩ, 25°C)	50 ns
Operating temperature range	-20...+85°C
Moment of inertia of code wheel	≤ 0.05 gcm <sup>2</sup>
Output current per channel	min. -1 mA, max. 5 mA

### Pin Allocation

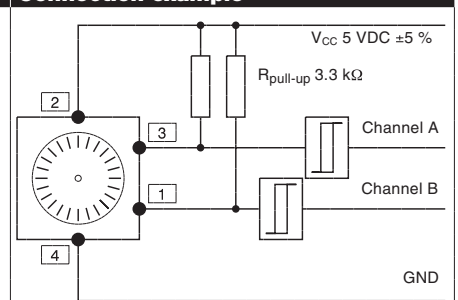


Micromodule contact strip  
Type Lumberg MICS 4  
Pin 4 GND  
Pin 3 Channel A  
Pin 2  $V_{CC}$ , Pin 1 Channel B  
recommended connectors:  
Micromodule connector  
Type Lumberg MICA 4

Order number for connector with cable: 3419.506



### Connection example



Ambient temperature range  $\theta_U = 22 - 25^\circ\text{C}$