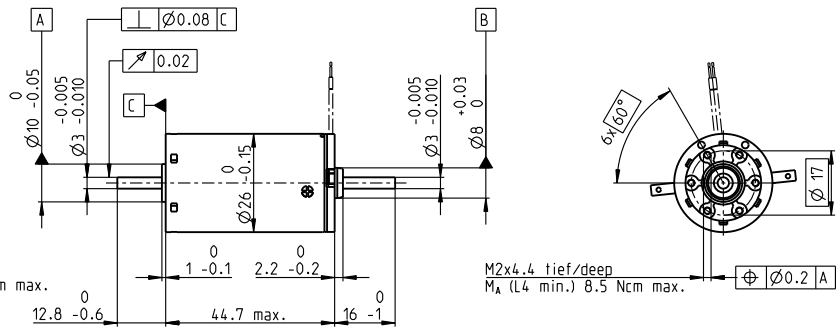
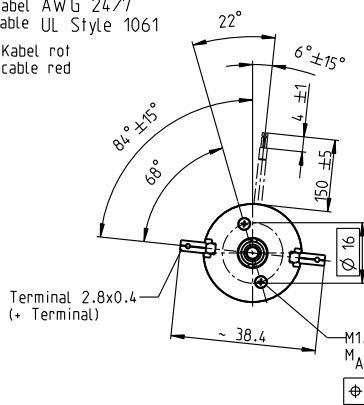


A-max 26 Ø26 mm, Graphite Brushes, 6 Watt

Kabel AWG 24/7
cable UL Style 1061

⊕ Kabel rot
cable red



M 1:2

- Stock program
- Standard program
- Special program (on request)

		Part Numbers											
with terminals		110946	110947	110948	110949	110950	110951	110952	110953	110954	110955	110956	110957
with cables		353143	353144	353145	353146	353147	353148	353149	353150	353151	353152	353153	353154

Motor Data													
Values at nominal voltage													
1 Nominal voltage	V	7.2	9	12	12	18	18	24	24	30	36	42	48
2 No load speed	rpm	9790	10500	10300	8510	8380	7510	8680	7950	8890	8500	8230	6280
3 No load current	mA	121	106	77.7	60.2	39.4	34.2	31	27.7	25.5	20.1	16.5	10.3
4 Nominal speed	rpm	8580	8840	8510	6210	5890	5000	6050	5250	6350	5950	5630	3590
5 Nominal torque (max. continuous torque)	mNm	6.67	7.91	11	13.6	14.5	14.6	13.7	13.4	14.1	14.1	13.9	13.8
6 Nominal current (max. continuous current)	A	1.08	1.08	1.08	1.08	0.755	0.679	0.554	0.498	0.467	0.373	0.305	0.203
7 Stall torque	mNm	54.6	51.4	63.4	50.9	49.4	44	45.7	39.8	49.8	47.6	44.6	32.9
8 Stall current	A	7.89	6.36	5.79	3.84	2.45	1.96	1.76	1.41	1.57	1.2	0.931	0.461
9 Max. efficiency	%	77	76	78	77	76	76	76	74	76	76	76	73
Characteristics													
10 Terminal resistance	Ω	0.912	1.41	2.07	3.13	7.36	9.19	13.6	17	19.1	30.1	45.1	104
11 Terminal inductance	mH	0.101	0.138	0.254	0.372	0.861	1.07	1.42	1.69	2.13	3.35	4.85	10.8
12 Torque constant	mNm/A	6.92	8.07	11	13.3	20.2	22.5	25.9	28.3	31.7	39.8	47.9	71.4
13 Speed constant	rpm/V	1380	1180	872	720	473	425	368	338	301	240	199	134
14 Speed / torque gradient	rpm/mNm	182	207	165	170	173	174	193	204	181	181	188	195
15 Mechanical time constant	ms	23.5	23.7	23.4	23.5	23.6	23.6	23.8	24	23.8	23.8	23.9	24.1
16 Rotor inertia	gcm ²	12.3	10.9	13.6	13.2	13.1	13	11.8	11.2	12.5	12.5	12.2	11.8

Specifications

Thermal data	
17 Thermal resistance housing-ambient	13.2 K/W
18 Thermal resistance winding-housing	3.2 K/W
19 Thermal time constant winding	12.5 s
20 Thermal time constant motor	660 s
21 Ambient temperature	-30...+85°C
22 Max. winding temperature	+125°C

Mechanical data (ball bearings)	
23 Max. speed	10400 rpm
24 Axial play	0.1 - 0.2 mm
25 Radial play	0.025 mm
26 Max. axial load (dynamic)	5 N
27 Max. force for press fits (static) (static, shaft supported)	75 N
28 Max. radial load, 5 mm from flange	1200 N

Mechanical data (sleeve bearings)	
23 Max. speed	10400 rpm
24 Axial play	0.1 - 0.2 mm
25 Radial play	0.012 mm
26 Max. axial load (dynamic)	1.7 N
27 Max. force for press fits (static) (static, shaft supported)	80 N
28 Max. radial load, 5 mm from flange	1200 N

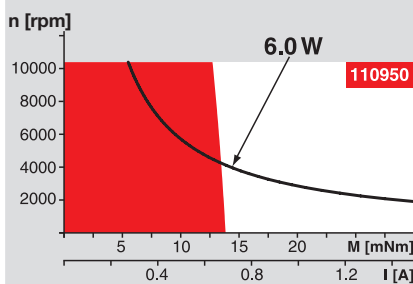
Other specifications	
29 Number of pole pairs	1
30 Number of commutator segments	13
31 Weight of motor	100 g

Values listed in the table are nominal.
Explanation of the figures on page 151.

Option

Sleeve bearings in place of ball bearings

Operating Range



Comments

- Continuous operation**
In observation of above listed thermal resistance (lines 17 and 18) the maximum permissible winding temperature will be reached during continuous operation at 25°C ambient.
= Thermal limit.
- Short term operation**
The motor may be briefly overloaded (recurring).
- Assigned power rating**

maxon Modular System

maxon Modular System		Overview on page 20-27	
Planetary Gearhead Ø26 mm 0.75 - 4.5 Nm Page 336		Encoder MR 128 - 1000 CPT, 3 channels Page 392	
Spur Gearhead Ø30 mm 0.07 - 0.2 Nm Page 337		Encoder Enc 22 mm 100 CPT, 2 channels Page 398	
Planetary Gearhead Ø32 mm 0.75 - 6.0 Nm Page 338/339/342		Encoder HED_ 5540 500 CPT, 3 channels Page 400/402	
Spur Gearhead Ø38 mm 0.1 - 0.6 Nm Page 348		Encoder MEnc Ø13 mm 16 CPT, 2 channels Page 410	
Spindle Drive Ø32 mm Page 370-372			