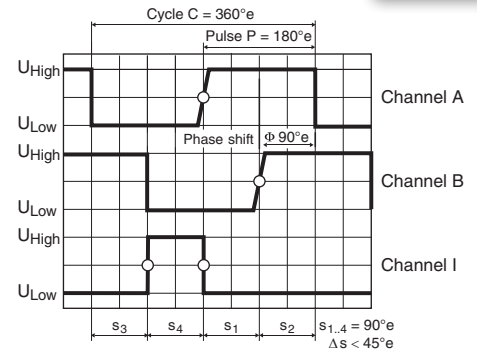
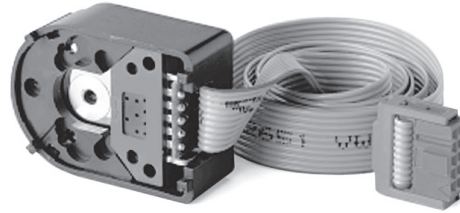
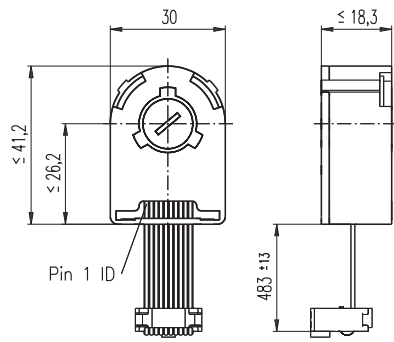


Encoder AEDL 5810 1024–5000 CPT, 3 Channels, with Line Driver RS 422

NEW



Direction of rotation cw (definition cw p. 150)

- Stock program
- Standard program
- Special program (on request)

Part Numbers

516205	516206	516207	516208	516209	533330	X drives	X drives
--------	--------	--------	--------	--------	--------	----------	----------

Type	516205	516206	516207	516208	516209	533330	X drives	X drives
Counts per turn	1024	5000	1024	5000	5000	5000	1024	5000
Number of channels	3	3	3	3	3	3	3	3
Max. operating frequency (kHz)	250	1000	250	1000	1000	1000	250	1000
Max. speed (rpm)	14000	12000	14000	12000	12000	12000	14000	12000
Shaft diameter (mm)	3	3	4	4	6	8	2-4	2-4
Phase shift Φ (°e)	90 ± 25	90 ± 45	90 ± 25	90 ± 45	90 ± 45	90 ± 45	90 ± 25	90 ± 45

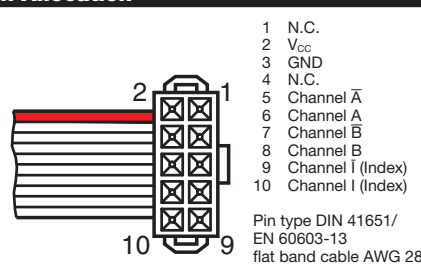
maxon Modular System

+ Motor	Page	+ Gearhead	Page	+ Brake	Page	Overall length [mm] / ● see Gearhead
EC-4pole 22, 90 W	271					70.1
EC-4pole 22, 90 W	271	GP 22/GP 32	333/343			● ●
EC-4pole 22, 90 W	271	GP 32 S	370-372			● ●
EC-4pole 22, 120 W	272					87.5
EC-4pole 22, 120 W	272	GP 22/GP 32	333/343			● ●
EC-4pole 22, 120 W	272	GP 32 S	370-372			● ●
EC-4pole 30, 100 W	273					67.6
EC-4pole 30, 100 W	273	GP 32, 4.0 - 8.0 Nm	345			● ●
EC-4pole 30, 100 W	273	GP 42, 3 - 15 Nm	350			● ●
EC-4pole 30, 100 W	273			AB 20	444	104.0
EC-4pole 30, 100 W	273	GP 32, 4.0 - 8.0 Nm	345	AB 20	444	● ●
EC-4pole 30, 100 W	273	GP 42, 3 - 15 Nm	350	AB 20	444	● ●
EC-4pole 30, 200 W	275					84.6
EC-4pole 30, 200 W	275	GP 32, 4.0 - 8.0 Nm	345			● ●
EC-4pole 30, 200 W	275	GP 42, 3 - 15 Nm	350			● ●
EC-4pole 30, 200 W	275			AB 20	444	121.0
EC-4pole 30, 200 W	275	GP 32, 4.0 - 8.0 Nm	345	AB 20	444	● ●
EC-4pole 30, 200 W	275	GP 42, 3 - 15 Nm	350	AB 20	444	● ●
EC-i 40, 50 W	282					49.0
EC-i 40, 50 W	282	GP 32, 1 - 6 Nm	343			●
EC-i 40, 50 W	282	GP 42, 3 - 15 Nm	350			●
EC-i 40, 50 W	282	GP 32 S	370-372			●
EC-i 40, 70 W	283/284					59.0
EC-i 40, 70 W	283	GP 32, 1 - 6 Nm	343			●
EC-i 40, 70 W	283/284	GP 42, 3 - 15 Nm	350			●
EC-i 40, 70 W	283	GP 32 S	370-372			●
EC-i 40, 100 W	285					79.0
EC-i 40, 100 W	285	GP 42, 3 - 15 Nm	350			●
EC-i 52, 180 W	286					100.7
EC-i 52, 180 W	286	GP 52, 4 - 30 Nm	354			●
DCX 22 S	76-77					on request
DCX 22 L	78-79					on request
DCX 26 L	80-81					on request
DCX 32 L	82					on request
DCX 35 L	83					on request

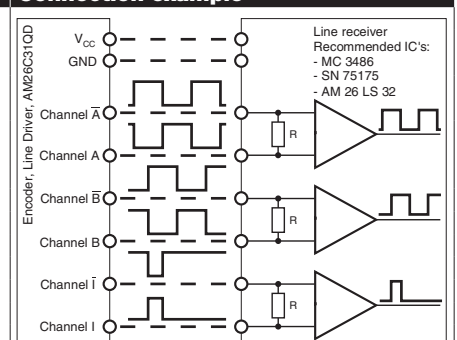
Technical Data

Supply voltage V_{CC}	5 V ± 10%
Output signal driver used:	EIA Standard RS 422 AM26C31QD
Signal rise time (typically, at $C_L = 100$ pF, 25 °C)	10 ns
Signal fall time (typically, at $C_L = 100$ pF, 25 °C)	10 ns
Index pulse width	90°e
Operating temperature range	-40...+85 °C
Moment of inertia of code wheel	≤ 0.6 gcm ²
Output current per channel	min. -20 mA, max. 20 mA

Pin Allocation



Connection example



Terminal resistance R = typical 120 Ω

The index signal I is synchronized with channel A or B.

maxon sensor