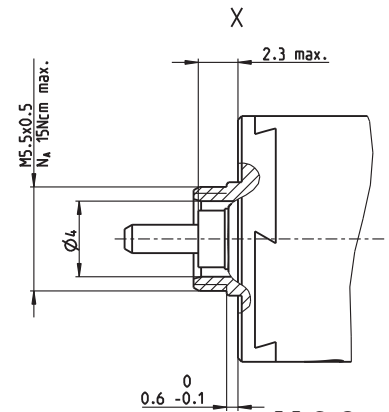
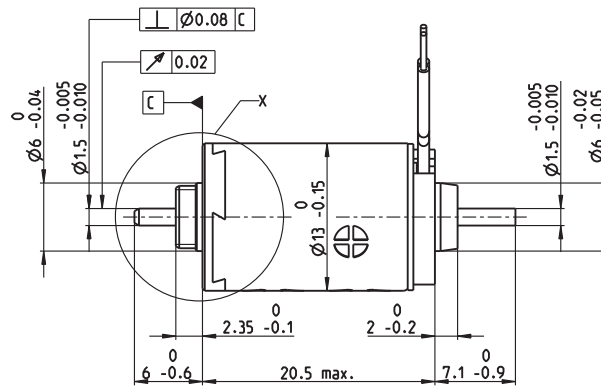
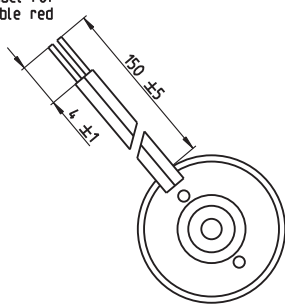


RE-max 13 Ø13 mm, Precious Metal Brushes, 0.75 Watt

Kabel AWG 28/7
cable UL Style 1061

⊕ Kabel rot
cable red



- Stock program
- Standard program
- Special program (on request)

Part Numbers

268336 268337 268338 268339 268340 268341 268342 268343 268344 268345 268346 268347 268348 268349 268350

Motor Data																	
Values at nominal voltage																	
1	Nominal voltage	V	0.6	0.72	0.9	1.2	1.5	1.8	1.8	2.4	3	3.6	4.8	6	6	7.2	10
2	No load speed	rpm	6870	6700	6600	7260	7010	6870	5980	6510	6720	6510	6970	7030	6560	6680	7050
3	No load current	mA	79	64	50	42.8	32.6	26.3	21.8	18.3	15.3	12.2	10.1	8.16	7.43	6.34	4.92
4	Nominal speed	rpm	5490	4680	4130	4160	2960	2150	849	1340	1350	1140	1580	1580	1050	1250	1550
5	Nominal torque (max. continuous torque)	mNm	0.327	0.415	0.545	0.674	0.892	1.11	1.28	1.28	1.29	1.3	1.29	1.27	1.26	1.26	1.26
6	Nominal current (max. continuous current)	A	0.48	0.48	0.48	0.48	0.48	0.48	0.48	0.392	0.326	0.264	0.21	0.168	0.156	0.132	0.1
7	Stall torque	mNm	1.41	1.28	1.4	1.55	1.54	1.62	1.51	1.64	1.64	1.61	1.7	1.68	1.54	1.59	1.65
8	Stall current	A	1.76	1.31	1.12	1.02	0.786	0.674	0.547	0.484	0.401	0.316	0.268	0.214	0.184	0.16	0.127
9	Max. efficiency	%	63	62	63	64	64	65	65	66	65	65	66	66	64	65	65
Characteristics																	
10	Terminal resistance	Ω	0.34	0.55	0.802	1.17	1.91	2.67	3.29	4.96	7.48	11.4	17.9	28.1	32.7	44.9	78.9
11	Terminal inductance	mH	0.006	0.008	0.014	0.02	0.033	0.05	0.066	0.099	0.145	0.223	0.346	0.532	0.606	0.847	1.47
12	Torque constant	mNm/A	0.802	0.98	1.25	1.51	1.96	2.41	2.76	3.39	4.1	5.08	6.33	7.84	8.38	9.89	13
13	Speed constant	rpm/V	11900	9740	7650	6300	4870	3970	3460	2820	2330	1880	1510	1220	1140	965	734
14	Speed / torque gradient	rpm/mNm	5050	5470	4920	4880	4740	4400	4110	4130	4250	4210	4270	4360	4450	4380	4450
15	Mechanical time constant	ms	19.2	17	15.7	15.1	14.6	14.2	13.9	13.9	13.9	13.8	13.8	13.9	13.9	13.9	13.9
16	Rotor inertia	gcm ²	0.363	0.296	0.304	0.295	0.293	0.308	0.323	0.32	0.311	0.313	0.309	0.305	0.298	0.302	0.299

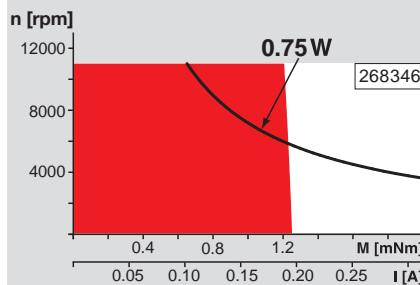
Specifications

Thermal data		
17	Thermal resistance housing-ambient	47.5 K/W
18	Thermal resistance winding-housing	14 K/W
19	Thermal time constant winding	5.11 s
20	Thermal time constant motor	186 s
21	Ambient temperature	-20...+65°C
22	Max. winding temperature	+85°C

Mechanical data (sleeve bearings)		
23	Max. speed	11 000 rpm
24	Axial play	0.05 - 0.15 mm
25	Radial play	0.014 mm
26	Max. axial load (dynamic)	0.8 N
27	Max. force for press fits (static) (static, shaft supported)	35 N
28	Max. radial load, 5 mm from flange	240 N
		1.4 N

Other specifications		
29	Number of pole pairs	1
30	Number of commutator segments	7
31	Weight of motor	15 g
Alignment of the electronic connections not specified		
Values listed in the table are nominal.		
Explanation of the figures on page 151.		

Operating Range



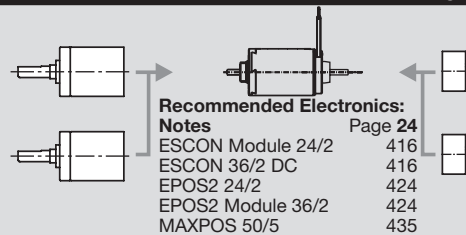
Comments

- Continuous operation**
In observation of above listed thermal resistance (lines 17 and 18) the maximum permissible winding temperature will be reached during continuous operation at 25°C ambient.
= Thermal limit.
- Short term operation**
The motor may be briefly overloaded (recurring).
- Assigned power rating**

maxon Modular System

Planetary Gearhead
Ø13 mm
0.05 - 0.15 Nm
Page 316

Planetary Gearhead
Ø13 mm
0.2 - 0.35 Nm
Page 317



Overview on page 20-27

Encoder MR
16 CPT,
2 channels
Page 385

Encoder MR
64 - 256 CPT,
2 channels
Page 386/387