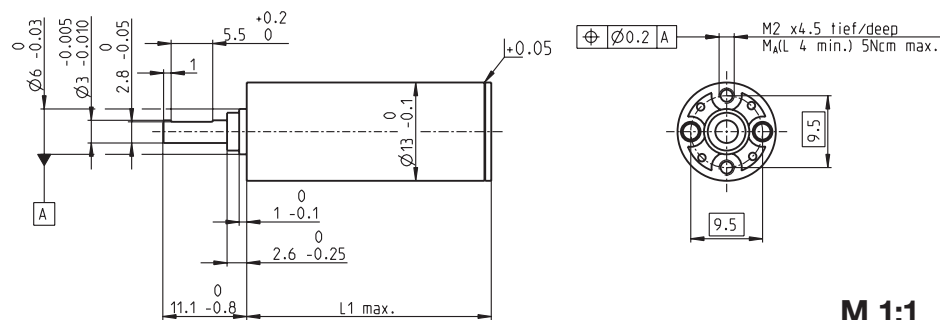


Planetary Gearhead GP 13 K $\varnothing 13$ mm, 0.05–0.15 Nm

Plastic Version



M 1:1

Technical Data

Planetary Gearhead	straight teeth
Housing, planetary wheels	plastic
Output shaft	stainless steel, hardened
Bearing at output	sleeve bearing
Radial play, 6 mm from flange	max. 0.12 mm
Axial play	0.02–0.10 mm
Max. axial load (dynamic)	5 N
Max. force for press fits	100 N
Direction of rotation, drive to output	=
Max. continuous input speed	8000 rpm
Recommended temperature range	-15...+80°C
Number of stages	1 2 3 4 5
Max. radial load, 6 mm from flange	2 N 3 N 4 N 5 N 5 N

- Stock program
- Standard program
- Special program (on request)

Part Numbers

137149	137150	137151	137152	137153
--------	--------	--------	--------	--------

Gearhead Data

	137149	137150	137151	137152	137153
1 Reduction	4.1:1	17:1	67:1	275:1	1119:1
2 Absolute reduction	57/14	3249/196	185193/2744	10556001/38416	601692057/537824
3 Max. motor shaft diameter	mm 1.5	1.5	1.5	1.5	1.5
4 Number of stages	1	2	3	4	5
5 Max. continuous torque	Nm 0.050	0.075	0.100	0.125	0.150
6 Max. intermittent torque at gear output	Nm 0.050	0.075	0.100	0.125	0.150
7 Max. efficiency	% 85	70	60	50	45
8 Weight	g 5.9	6.5	7.0	7.5	8.0
9 Average backlash no load	° 1.8	2.0	2.2	2.5	2.8
10 Mass inertia	gcm ² 0.025	0.009	0.008	0.008	0.008
11 Gearhead length L1	mm 15.5	21.4	25.1	28.8	32.5



maxon Modular System

+ Motor	Page	+ Sensor/Brake	Page	Overall length [mm] = Motor length + gearhead length + (sensor/brake) + assembly parts				
RE 13	159/161			34.8	40.7	44.4	48.1	51.8
RE 13, 0.75 W	161	MR	385-387	41.9	47.8	51.5	55.2	58.9
RE 13, 0.75 W	161	MEnc 13	409	42.6	48.5	52.2	55.9	59.6
RE 13	163/165			47.0	52.9	56.6	60.3	64.0
RE 13, 2 W	165	MR	385-387	54.1	60.0	63.7	67.4	71.1
RE 13, 2 W	165	MEnc 13	409	54.8	60.7	64.4	68.1	71.8
RE 13, 1.5 W	167/169			37.9	43.8	47.5	51.2	54.9
RE 13, 1.5 W	169	MR	385-387	44.0	49.9	53.6	57.3	61.0
RE 13, 1.5 W	169	MEnc 13	409	45.9	51.8	55.5	59.2	62.9
RE 13, 3 W	171/173			50.1	56.0	59.7	63.4	67.1
RE 13, 3 W	173	MR	385-387	56.2	62.1	65.8	69.5	73.2
RE 13, 3 W	173	MEnc 13	409	58.1	64.0	67.7	71.4	75.1
A-max 12	191/192			36.8	42.7	46.4	50.1	53.8
A-max 12, 0.5 W	192	MR	385-387	40.7	46.6	50.3	54.0	57.7
RE-max 13	219/220			36.1	42.0	45.7	49.4	53.1
RE-max 13, 0.75 W	220	MR	385-387	40.8	46.7	50.4	54.1	57.8
RE-max 13	221/222			47.1	53.0	56.7	60.4	64.1
RE-max 13, 2 W	222	MR	385-387	51.8	57.7	61.4	65.1	68.8