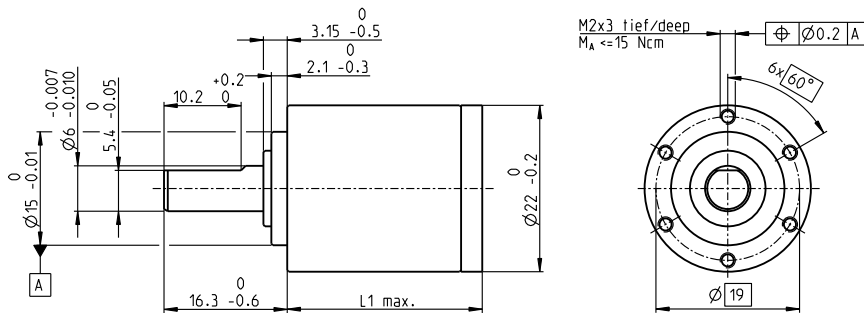


# Planetary Gearhead GP 22 AR $\varnothing 22$ mm, 0.50 Nm

for high radial loads



## Technical Data

Planetary Gearhead	straight teeth
Output shaft	stainless steel
Bearing at output	ball bearing
Radial play, 10 mm from flange	max. 0.2 mm
Axial play	max. 0.1 mm
Max. axial load (dynamic)	100 N
Max. force for press fits	100 N
Direction of rotation, drive to output	=
Max. continuous input speed	6000 rpm
Recommended temperature range	-30...+100°C
Max. radial load, 10 mm from flange	70 N

M 1:1

- Stock program
- Standard program
- Special program (on request)

## Part Numbers

462695	438992	462696
--------	--------	--------

## Gearhead Data

		462695	438992	462696
1 Reduction		3.8:1	4.4:1	5.4:1
2 Absolute reduction		$\frac{15}{4}$	$\frac{57}{13}$	$\frac{27}{5}$
3 Max. motor shaft diameter	mm	4	3.2	2.5
4 Number of stages		1	1	1
5 Max. continuous torque	Nm	0.5	0.5	0.5
6 Max. intermittent torque at gear output	Nm	0.8	0.8	0.8
7 Max. efficiency	%	90	90	90
8 Weight	g	44	44	44
9 Average backlash no load	°	1.0	1.0	1.0
10 Mass inertia	gcm <sup>2</sup>	0.5	0.38	0.25
11 Gearhead length L1	mm	25.8	25.8	25.8



## maxon Modular System

+ Motor	Page	+ Sensor/Brake	Page	Overall length [mm] = Motor length + gearhead length + (sensor/brake) + assembly parts		
RE 25, 20 W	180			68.9	68.9	68.9
RE 25, 20 W	180	MR	392	79.9	79.9	79.9
RE 25, 20 W	180	HED_ 5540	400/403	89.7	89.7	89.7
RE 25, 20 W	180	DCT22	411	91.2	91.2	91.2
RE 25, 20 W	180	AB 28	446	103	103	103
RE 25, 20 W	180	HED_ 5540/AB 28	400/446	120.2	120.2	120.2
EC-max 22, 25 W	263			74.4	74.4	74.4
EC-max 22, 25 W	263	MR	391	84	84	84
EC-max 22, 25 W	263	AB 20	444	110	110	110