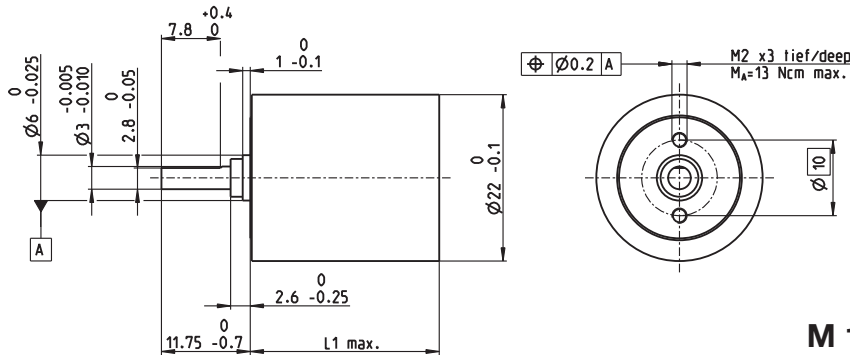


Planetary Gearhead GP 22 B Ø22 mm, 0.1–0.3 Nm



M 1:1

Technical Data

Planetary Gearhead	straight teeth
Housing	steel
Output shaft	stainless steel, hardened
Bearing at output	sleeve bearing
Radial play, 6 mm from flange	max. 0.06 mm
Axial play	0.02–0.10 mm
Max. axial load (dynamic)	8 N
Max. force for press fits	100 N
Direction of rotation, drive to output	=
Max. continuous input speed	8000 rpm
Recommended temperature range	-30...+100°C
Extended range as option	-40...+100°C
Number of stages	1 2 3 4 5
Max. radial load, 6 mm from flange	8 N 12 N 16 N 20 N 20 N

maxon gear

- Stock program
- Standard program
- Special program (on request)

Part Numbers

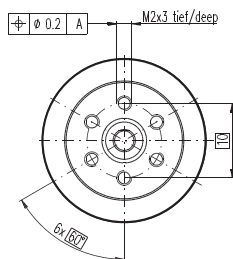
Gearhead Data	110355	110356	110357	118653	110358	134772	110359	134775
1 Reduction	4.4:1	19:1	84:1	157:1	370:1	690:1	1621:1	3027:1
2 Absolute reduction	57/13	3249/169	185193/2197	19683/125	10556001/28561	1121931/1625	601692057/371293	63950067/21125
3 Max. motor shaft diameter	mm 2	2	2	1.5	2	2	2	2
Part Numbers	118651	134767	134768		134770	118654	134773	134776
1 Reduction	5.4:1	24:1	104:1		455:1	850:1	1996:1	3728:1
2 Absolute reduction	27/5	1539/65	87723/845		5000211/10985	531441/625	285012027/142805	30292137/6125
3 Max. motor shaft diameter	mm 1.5	2	2		2	1.5	2	2
Part Numbers		118652	134769		134771		134774	118655
1 Reduction		29:1	128:1		561:1		2458:1	4592:1
2 Absolute reduction		729/25	41553/325		2368521/4225		135005697/54925	14348907/3125
3 Max. motor shaft diameter	mm	1.5	2		2		2	1.5
4 Number of stages		1	2	3	3	4	4	5
5 Max. continuous torque	Nm	0.10	0.15	0.20	0.20	0.25	0.25	0.30
6 Max. intermittent torque at gear output	Nm	0.150	0.225	0.300	0.300	0.375	0.375	0.450
7 Max. efficiency	%	90	81	73	73	65	65	59
8 Weight	g	39	48	57	57	65	65	73
9 Average backlash no load	°	1.4	1.6	2.0	2.0	2.4	2.4	3.0
10 Mass inertia	gcm ²	0.07	0.05	0.05	0.05	0.05	0.05	0.05
11 Gearhead length L1	mm	15.9	19.5	23.1	23.1	26.7	26.7	30.3



maxon Modular System

+ Motor	Page	+ Sensor/Brake	Page	Overall length [mm] = Motor length + gearhead length + (sensor/brake) + assembly parts							
A-max 22	201-204			47.9	51.5	55.1	55.1	58.7	58.7	62.3	62.3
A-max 22	202/204 MR		388/390	52.9	56.5	60.1	60.1	63.7	63.7	67.3	67.3
A-max 22	202/204 Enc 22		398	62.3	65.9	69.5	69.5	73.1	73.1	76.7	76.7
A-max 22	202/204 MEnc 13		409	55.0	58.6	62.2	62.2	65.8	65.8	69.4	69.4

Option Ball Bearing



Part Numbers

4.4:1	144137	455:1	144147
5.4:1	144138	561:1	144148
19:1	144139	690:1	144149
24:1	144140	850:1	144150
29:1	144141	1621:1	144151
84:1	144142	1996:1	144152
104:1	144143	2458:1	144153
128:1	144144	3027:1	144154
157:1	144145	3728:1	144155
370:1	144146	4592:1	144156

Technical Data

Planetary Gearhead	straight teeth
Housing	steel
Output shaft	stainless steel, hardened
Bearing at output	preloaded ball bearings
Radial play, 6 mm from flange	max. 0.08 mm
Axial play at axial load	< 4 N 0 mm > 4 N max. 0.05 mm
Max. axial load (dynamic)	8 N
Max. force for press fits	25 N
Direction of rotation, drive to output	=
Max. continuous input speed	8000 rpm
Recommended temperature range	-40...+100°C
Number of stages	1 2 3 4 5
Max. radial load, 6 mm from flange	10 N 15 N 20 N 20 N 20 N
Gearhead values according to sleeve bearing version	