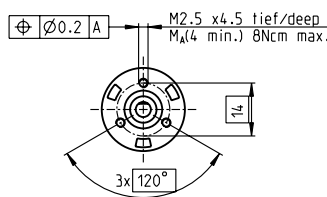
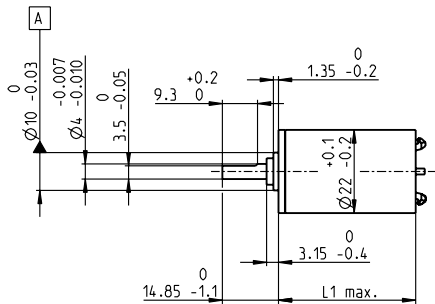


Planetary Gearhead GP 22 L $\varnothing 22$ mm, 0.2–0.6 Nm

Plastic Version



M 1:2

Technical Data

Planetary Gearhead	straight teeth
Housing	plastic
Output shaft	stainless steel, hardened
Bearing at output	sleeve bearing
Radial play, 10 mm from flange	max. 0.1 mm
Axial play	max. 0.15 mm
Max. axial load (dynamic)	20 N
Max. force for press fits	100 N
Direction of rotation, drive to output	=
Max. continuous input speed	6000 rpm
Recommended temperature range	-15...+80°C
Number of stages	1 2 3 4 5
Max. radial load, 10 mm from flange	15 N 20 N 25 N 30 N 30 N

- Stock program
- Standard program
- Special program (on request)

Part Numbers

	232763	232766	232772	232778	232782	232788	232794	232796	232803	232809	232815
Gearhead Data											
1 Reduction	3.8:1	14:1	53:1	104:1	198:1	370:1	590:1	742:1	1386:1	1996:1	3189:1
2 Absolute reduction	15/4	225/16	3375/64	87723/845	50625/256	10556001/28561	59049/100	759375/1024	158340015/114244	285012027/142805	1594323/500
3 Max. motor shaft diameter	mm 4	4	4	3.2	4	3.2	4	4	3.2	3.2	4
Part Numbers	232764	232767	232773	232779	232783	232789	232795	232798	232804	232810	232816
1 Reduction	4.4:1	16:1	62:1	109:1	231:1	389:1	690:1	867:1	1460:1	2102:1	3728:1
2 Absolute reduction	57/13	855/52	12825/208	2187/20	192375/832	263169/676	1121931/1625	2885625/3328	3947535/2704	7105563/3380	30292137/8125
3 Max. motor shaft diameter	mm 3.2	3.2	3.2	4	3.2	3.2	3.2	3.2	3.2	3.2	3.2
Part Numbers	232765	232768	232774	232780	232784	232790	232797	232799	232805	232811	232817
1 Reduction	5.4:1	19:1	72:1	128:1	270:1	410:1	850:1	1014:1	1538:1	2214:1	4592:1
2 Absolute reduction	27/5	3249/169	48735/676	41559/325	731025/2704	6561/16	531441/625	10965375/10816	98415/64	177147/80	14348907/3125
3 Max. motor shaft diameter	mm 2.5	3.2	3.2	3.2	3.2	4	2.5	3.2	4	4	2.5
Part Numbers		232769	232775	232781	232785	232791		232800	232806	232812	
1 Reduction		20:1	76:1	157:1	285:1	455:1		1068:1	1621:1	2458:1	
2 Absolute reduction		81/4	1215/16	19683/125	18225/64	5000211/10985		273375/256	601692057/371293	135005697/54825	
3 Max. motor shaft diameter	mm	4	4	2.5	4	3.2		4	3.2	3.2	
Part Numbers		232770	232776		232786	232792		232801	232807	232813	
1 Reduction		24:1	84:1		316:1	479:1		1185:1	1707:1	2589:1	
2 Absolute reduction		1539/65	185193/2197		2777895/8788	124659/260		41668425/35152	15000633/8788	3365793/1300	
3 Max. motor shaft diameter	mm	3.2	3.2		3.2	3.2		3.2	3.2	3.2	
Part Numbers		232771	232777		232787	232793		232802	232808	232814	
1 Reduction		29:1	89:1		333:1	561:1		1249:1	1798:1	3027:1	
2 Absolute reduction		729/25	4617/52		69255/208	236852/4225		1038825/832	373977/208	63950067/21125	
3 Max. motor shaft diameter	mm	2.5	3.2		3.2	3.2		3.2	3.2	3.2	
4 Number of stages		1	2	3	4	4		5	5	5	
5 Max. continuous torque	Nm	0.2	0.3	0.4	0.4	0.5	0.5	0.5	0.6	0.6	0.6
6 Max. intermittent torque at gear output	Nm	0.3	0.4	0.5	0.5	0.7	0.7	0.7	0.8	0.8	0.8
7 Max. efficiency	%	84	70	59	59	49	49	49	42	42	42
8 Weight	g	28	35	43	43	51	51	51	59	59	59
9 Average backlash no load	°	1.0	1.2	1.6	1.6	2.0	2.0	2.0	2.0	2.0	2.0
10 Mass inertia	gcm ²	0.5	0.4	0.4	0.4	0.4	0.4	0.4	0.4	0.4	0.4
11 Gearhead length L1	mm	22.7	29.5	36.3	36.3	43.1	43.1	43.1	49.9	49.9	49.9



maxon Modular System

+ Motor	Page	+ Sensor/Brake	Page	Overall length [mm] = Motor length + gearhead length + (sensor/brake) + assembly parts									
A-max 22	201-204			54.7	61.5	68.3	68.3	75.1	75.1	81.9	81.9	81.9	81.9
A-max 22	202/204 MR		388/390	59.7	66.5	73.3	73.3	80.1	80.1	80.1	86.9	86.9	86.9
A-max 22	202/204 Enc 22		398	69.1	75.9	82.7	82.7	89.5	89.5	89.5	96.3	96.3	96.3
A-max 22	202/204 MEnc 13		409	61.8	68.6	75.4	75.4	82.2	82.2	82.2	89.0	89.0	89.0