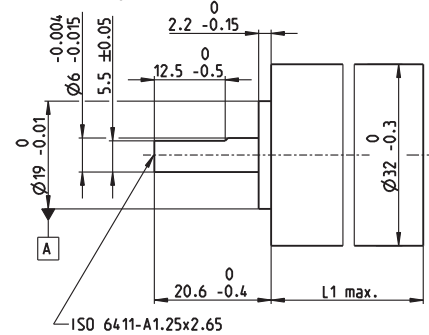


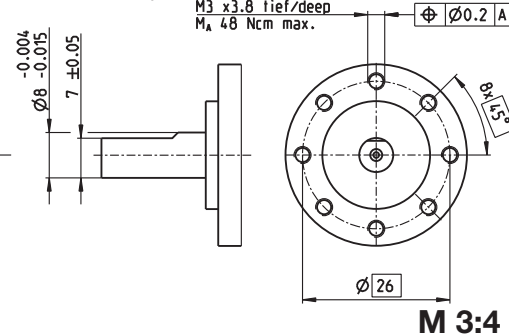
Planetary Gearhead GP 32 CR $\varnothing 32$ mm, 1.0 Nm

for high radial loads, ceramic version

$\varnothing 6$ mm output shaft



$\varnothing 8$ mm output shaft



Technical Data

Planetary Gearhead	straight teeth
Output shaft	stainless steel
Bearing at output	ball bearing
Radial play, 5 mm from flange	max. 0.14 mm
Axial play	max. 0.1 mm
Max. axial load (dynamic)	120 N
Max. force for press fits	120 N
Direction of rotation, drive to output	=
Max. continuous input speed	8000 rpm
Recommended temperature range	-40...+100°C
Output shaft diameter	6 mm 8 mm
Max. radial load, 10 mm from flange	140 N 120 N

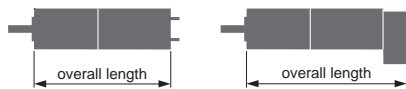
- Stock program
- Standard program
- Special program (on request)

Part Numbers

425240	425241	425242
--------	--------	--------

Gearhead Data

	425240	425241	425242
1 Reduction	3.7 : 1	4.8 : 1	5.8 : 1
2 Absolute reduction	$\frac{26}{7}$	$\frac{24}{5}$	$\frac{23}{4}$
3 Max. motor shaft diameter	mm 6	4	3
Output shaft diameter	mm 6	6	6
Part Numbers			
1 Reduction	3.7 : 1	4.8 : 1	5.8 : 1
2 Absolute reduction	$\frac{26}{7}$	$\frac{24}{5}$	$\frac{23}{4}$
3 Max. motor shaft diameter	mm 6	4	3
Output shaft diameter	mm 8	8	8
4 Number of stages	1	1	1
5 Max. continuous torque	Nm 1.0	1.0	1.0
6 Max. intermittent torque at gear output	Nm 1.25	1.25	1.25
7 Max. efficiency	% 90	90	90
8 Weight	g 111	111	111
9 Average backlash no load	° 0.7	0.7	0.7
10 Mass inertia	gcm ² 1.6	0.9	0.6
11 Gearhead length L1	mm 26.2	26.2	26.2



maxon Modular System

+ Motor	Page	+ Sensor/Brake	Page	Overall length [mm] = Motor length + gearhead length + (sensor/brake) + assembly parts		
RE 30, 60 W	183			94.3	94.3	94.3
RE 30, 60 W	183	MR	393	105.7	105.7	105.7
RE 30, 60 W	183	HED_5540	399/401	115.1	115.1	115.1
RE 35, 90 W	184			97.3	97.3	97.3
RE 35, 90 W	184	MR	393	108.7	108.7	108.7
RE 35, 90 W	184	HED_5540	399/401	118.0	118.0	118.0
RE 35, 90 W	184	DCT22	411	115.4	115.4	115.4
RE 35, 90 W	184	AB 28	446	133.4	133.4	133.4
RE 35, 90 W	184	HED_5540/AB 28	399/446	150.5	150.5	150.5
EC 32, 80 W	251			86.3	86.3	86.3
EC 32, 80 W	251	HED_5540	400/403	104.7	104.7	104.7
EC 32, 80 W	251	Res 26	412	106.4	106.4	106.4