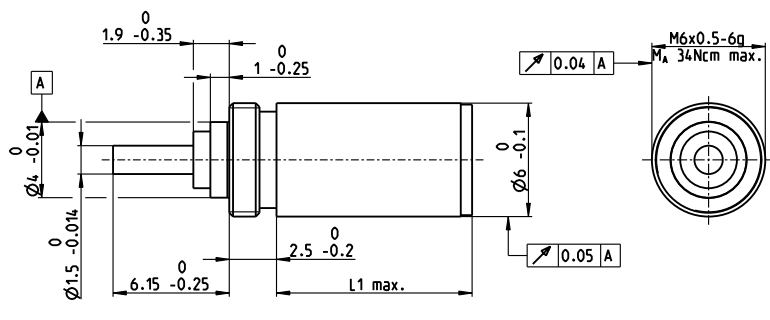


Planetary Gearhead GP 6 A $\varnothing 6$ mm, 0.002–0.03 Nm



Technical Data

Planetary Gearhead	straight teeth
Output shaft	stainless steel
Bearing at output	ball bearing
Option	sleeve bearing
Radial play, 5 mm from flange	max. 0.12 mm
Axial play	max. 0.10 mm
Max. axial load (dynamic)	5 N
Max. force for press fits	10 N
Direction of rotation, drive to output	=
Max. continuous input speed	40000 rpm
Recommended temperature range	-40...+100°C
Number of stages	1 2 3 4 5
Max. radial load, 5 mm from flange	5 N 6 N 7 N 8 N 8 N

M 5:2

- Stock program
- Standard program
- Special program (on request)

Part Numbers

472919	472920	472921	472229	472922
--------	--------	--------	--------	--------

Gearhead Data		472919	472920	472921	472229	472922
1	Reduction	3.9:1	15:1	57:1	221:1	854:1
2	Absolute reduction	²⁷ / ₇	⁷²⁹ / ₄₉	¹⁹⁶⁸³ / ₃₄₃	⁵³¹⁴⁴¹ / ₂₄₀₁	¹⁴³⁴⁸⁹⁰⁷ / ₁₆₈₀₇
3	Max. motor shaft diameter	mm 1	1	1	1	1
4	Number of stages	1	2	3	4	5
5	Max. continuous torque	Nm 0.002	0.005	0.010	0.030	0.030
6	Max. intermittent torque at gear output	Nm 0.005	0.010	0.020	0.060	0.060
7	Max. efficiency	% 88	77	68	60	52
8	Weight	g 1.7	2.1	2.5	2.9	3.3
9	Average backlash no load	° 1.8	2.0	2.2	2.5	2.8
10	Mass inertia	gcm ² 0.001	0.001	0.001	0.001	0.001
11	Gearhead length L1	mm 5.3	7.8	10.4	13.0	15.6



maxon Modular System

+ Motor	Page	+ Sensor/Brake	Page	Overall length [mm] = Motor length + gearhead length + (sensor/brake) + assembly parts				
RE 6, 0.3 W, A	152			21.0	23.5	26.1	28.7	31.3
RE 6, 0.3 W, B	152			25.0	27.5	30.1	32.7	35.3
EC 6, 1.5 W	236			26.7	29.2	31.8	34.4	37.0
EC 6, 1.5 W	236	Enc 6-8 MAG	384	28.8	31.3	33.9	36.5	39.1
EC 6, 1.5 W	236	Enc 6-8 OPT	394	28.8	31.3	33.9	36.5	39.1
EC 6, 2 W	237			26.7	29.2	31.8	34.4	37.0
EC 6, 2 W	237	Enc 6-8 MAG	384	28.8	31.3	33.9	36.5	39.1
EC 6, 2 W	237	Enc 6-8 OPT	394	28.8	31.3	33.9	36.5	39.1