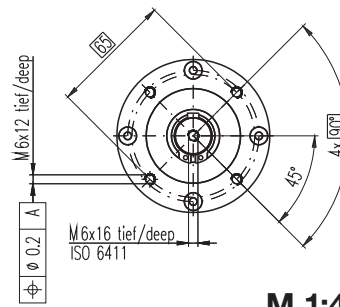
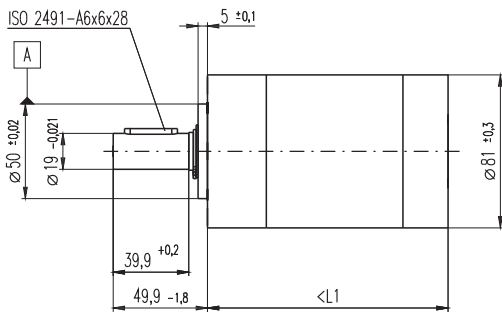


Planetary Gearhead GP 81 A $\varnothing 81$ mm, 20–120 Nm



M 1:4

Technical Data

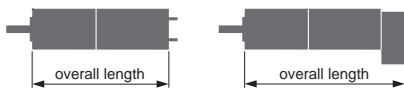
Planetary Gearhead	straight teeth
Output shaft	steel
Bearing at output	ball bearing
Radial play, 8 mm from flange	max. 0.1 mm
Axial play	max. 1 mm
Max. force for press fits	1500 N
Direction of rotation, drive to output	=
Max. continuous input speed	3000 rpm
Recommended temperature range	-30...+140°C
Number of stages	1 2 3
Max. radial load, 24 mm from flange	400 N 600 N 1000 N
Max. axial load (dynamic)	80 N 120 N 200 N

maxon gear

- Stock program
- Standard program
- Special program (on request)

Part Numbers

Gearhead Data	Part Numbers					
	110408	110409	110410	110411	110412	110413
1 Reduction	3.7:1	14:1	25:1	51:1	93:1	308:1
2 Absolute reduction	$\frac{63}{17}$	$\frac{3969}{289}$	$\frac{1701}{68}$	$\frac{250047}{4913}$	$\frac{107163}{1156}$	$\frac{19683}{64}$
3 Max. motor shaft diameter	mm 14	14	14	14	14	14
4 Number of stages	1	2	2	3	3	3
5 Max. continuous torque	Nm 20	60	60	120	120	120
6 Max. intermittent torque at gear output	Nm 30	90	90	180	180	180
7 Max. efficiency	% 80	75	75	70	70	70
8 Weight	g 2300	3000	3000	3700	3700	3700
9 Average backlash no load	° 0.5	0.55	0.55	0.6	0.6	0.6
10 Mass inertia	gcm ² 165	155	125	88	154	89
11 Gearhead length L1	mm 92.0	113.7	113.7	135.3	135.3	135.3



maxon Modular System

+ Motor	Page	+ Sensor	Page	Brake	Page	Overall length [mm] = Motor length + gearhead length + (sensor/brake) + assembly parts					
RE 65, 250 W	188					223.5	245.2	245.2	266.8	266.8	266.8
RE 65, 250 W	188	HEDS 5540	400			249.4	271.1	271.1	292.7	292.7	292.7
RE 65, 250 W	188	HEDL 5540	402			249.4	271.1	271.1	292.7	292.7	292.7
RE 65, 250 W	188	HEDL 9140	406			279.6	301.3	301.3	322.9	322.9	322.9
RE 65, 250 W	188			AB 44	450	279.6	301.3	301.3	322.9	322.9	322.9
RE 65, 250 W	188	HEDL 9140	406	AB 44	450	297.6	319.3	319.3	340.9	340.9	340.9
EC 60, 400 W	255					269.4	291.1	291.1	312.7	312.7	312.7
EC 60, 400 W	255	HEDL 9140	405			269.4	291.1	291.1	312.7	312.7	312.7
EC 60, 400 W	255	Res 26	412			269.4	291.1	291.1	312.7	312.7	312.7
EC 60, 400 W	255			AB 41	449	283.0	304.7	304.7	326.3	326.3	326.3
EC 60, 400 W	255	HEDL 9140	405	AB 41	449	307.0	328.7	328.7	350.3	350.3	350.3