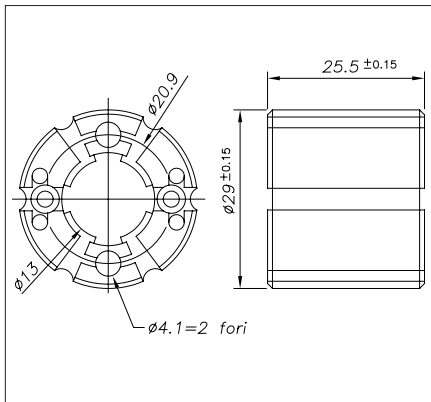




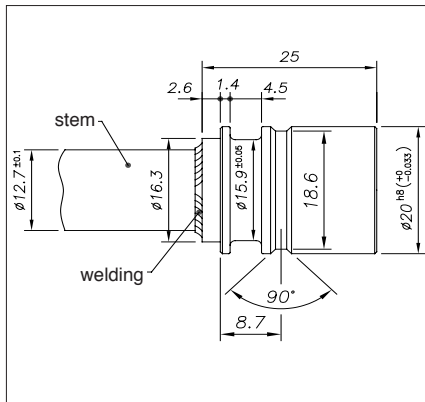
## MECHANICAL / ELECTRICAL DATA

MODEL		50	100	150	200	250	300	350	400	450	500	550	600	750	800	850	900	950	1000	
Useful electrical stroke (C.E.U.) + 1/-0	mm	<b>Model</b>																		
Theoretical electrical stroke (C.E.T.) ± 1	mm	C.E.U. + 1																		
Independent linearity (within C.E.U.)	± %	0.35																		
Dissipation at 40°C (0W at 120°C)	W	1	2																	3
Max applicable voltage	V	40																	60	
Resistance (C.E.T.)	kΩ	5					10					20								
Mechanical stroke (C.M.)	mm	C.E.U. + 5																		
Case Length "A" ± 1	mm	C.E.U. + 94.7																		

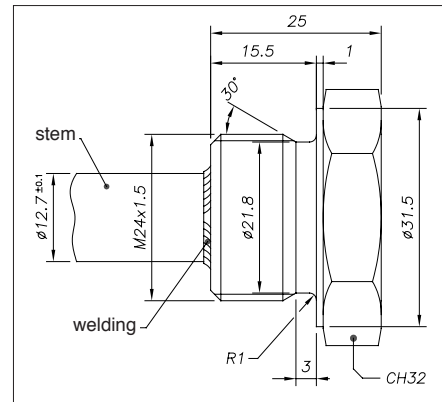
### PCUR010 CURSOR



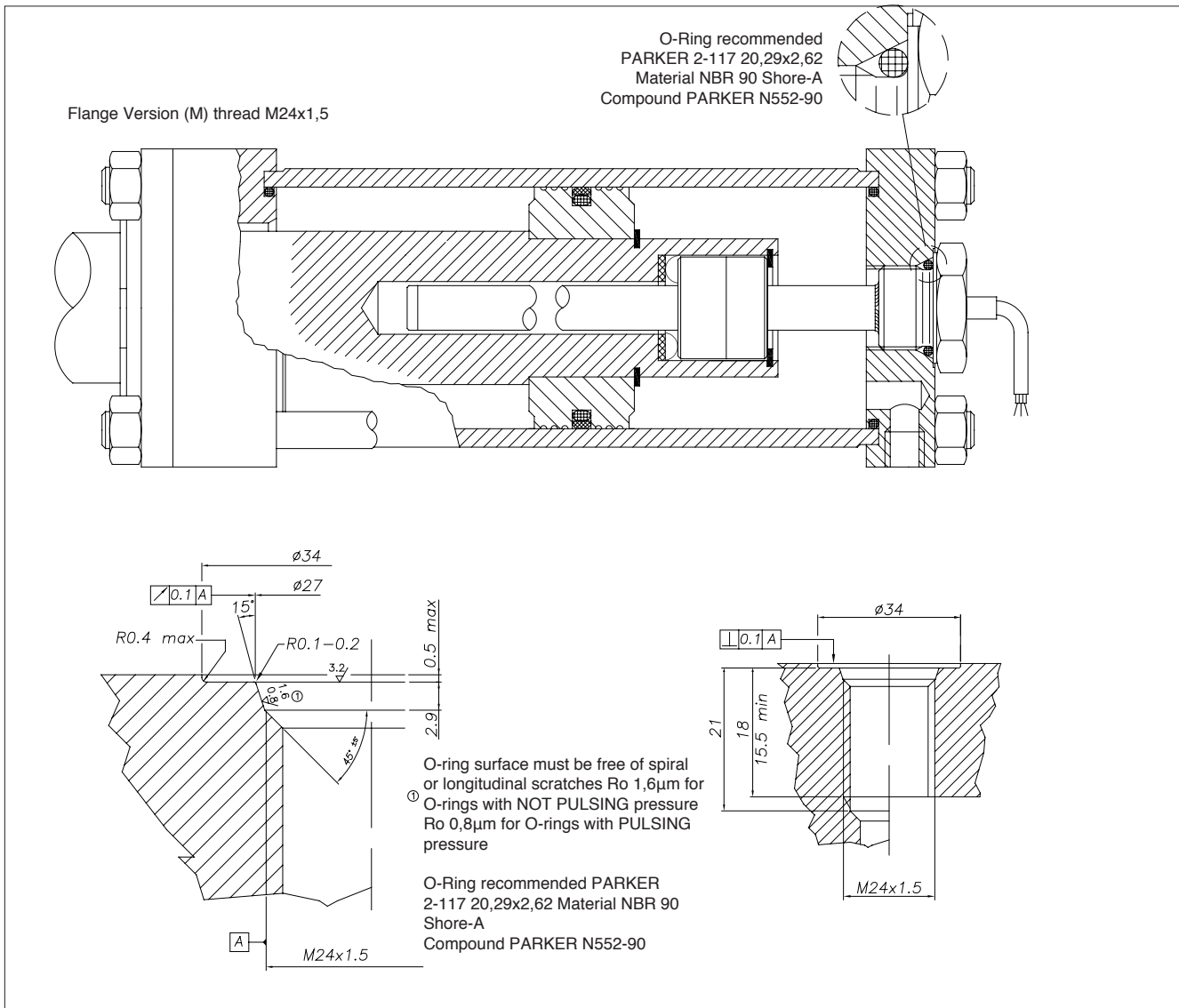
### STANDARD FLANGE (X)



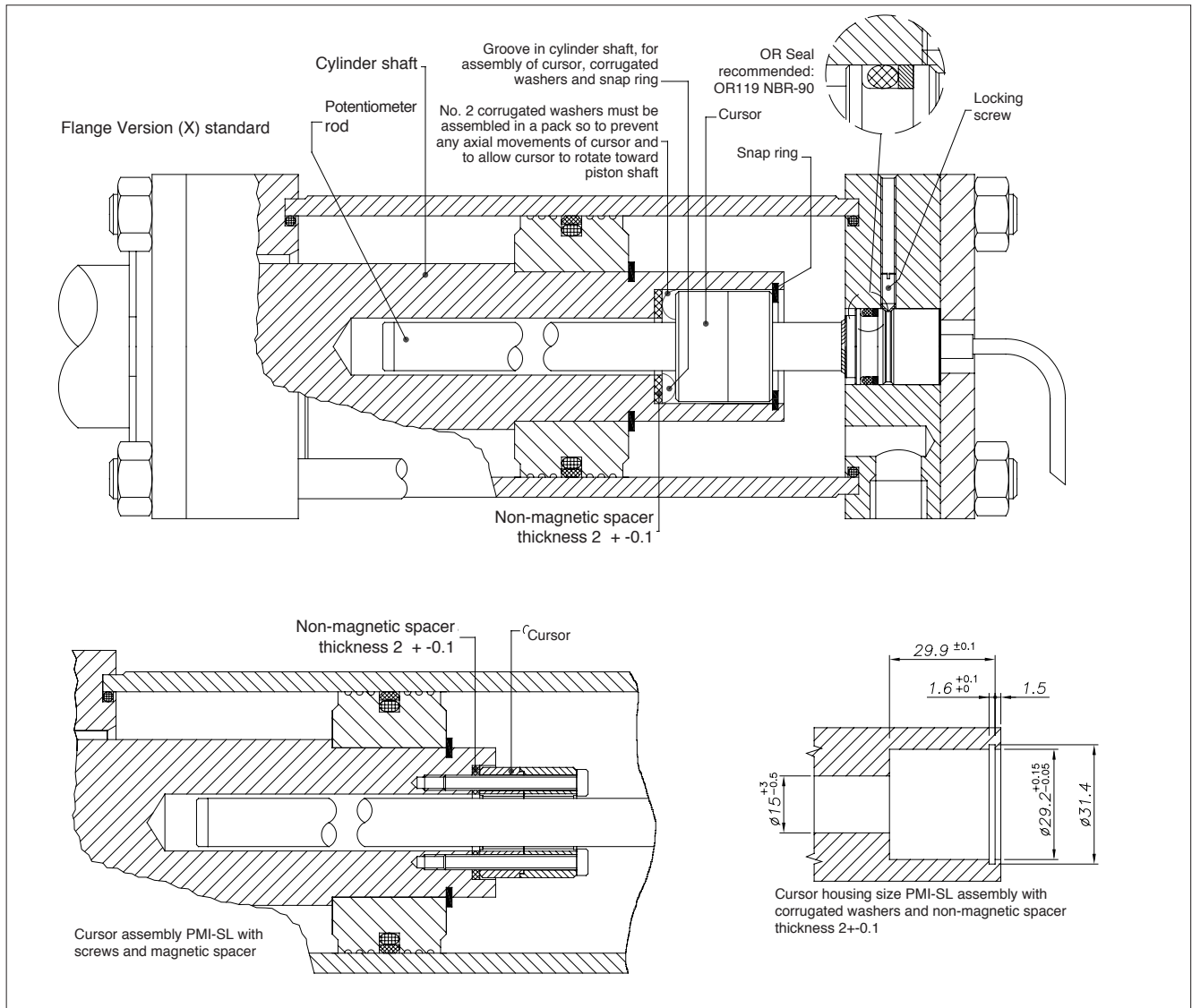
### THREADED FLANGE (M)



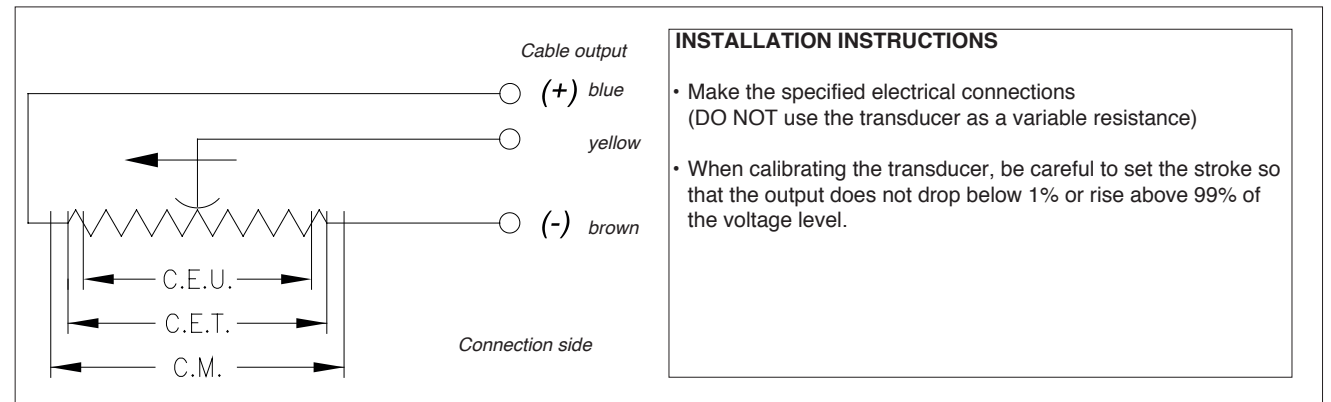
## INSTALLATION INSIDE THE CYLINDER



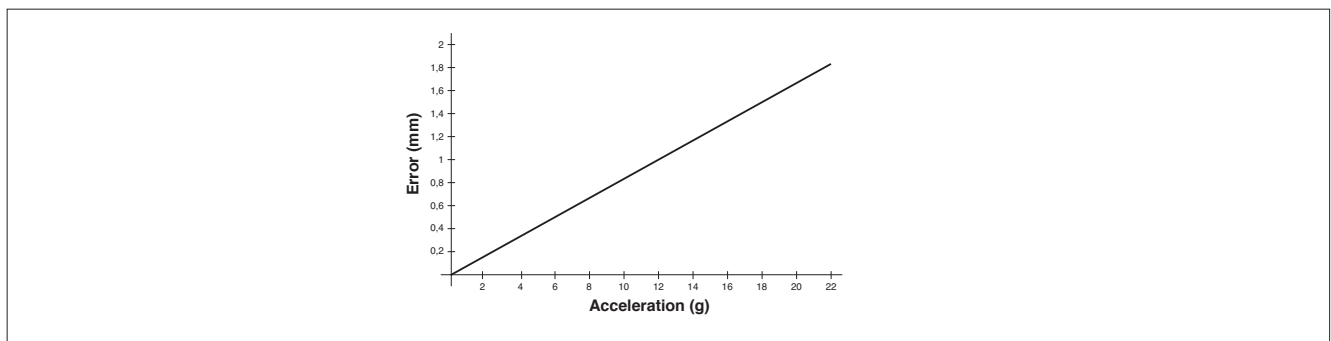
## INSTALLATION INSIDE THE CYLINDER



## ELECTRICAL CONNECTIONS



## TRACKING ERROR



## ORDER CODE

Displacement transducers P M I S L

3-pole PUR cable output 3x0.25, 1 mt	F
Model	
Standard flange	X
Threaded flange M24x1.5	M

No certificate attached	0
Linearity curve to be attached	L

0 0 0 0 X 0 0 0 X X X X X X

Version F cable length	
1 mt cable (standard)	00
2 mt cable	02
3 mt cable	03
4 mt cable	04
5 mt cable	05
10 mt cable	10
15 mt cable	15

Ex.: **PMI-SL-F-0400-X 0000X000XX00XXX**  
 PMI SL displacement transducer, cable output, useful electrical stroke (C.E.U.)  
 400mm, standard flange, no certificate attached, cable length 1 mt.

## ACCESSORIES (standard)

Standard magnetic cursor

**PCUR010**

GEFRAN spa reserves the right to make any kind of design or functional modification at any moment without prior notice